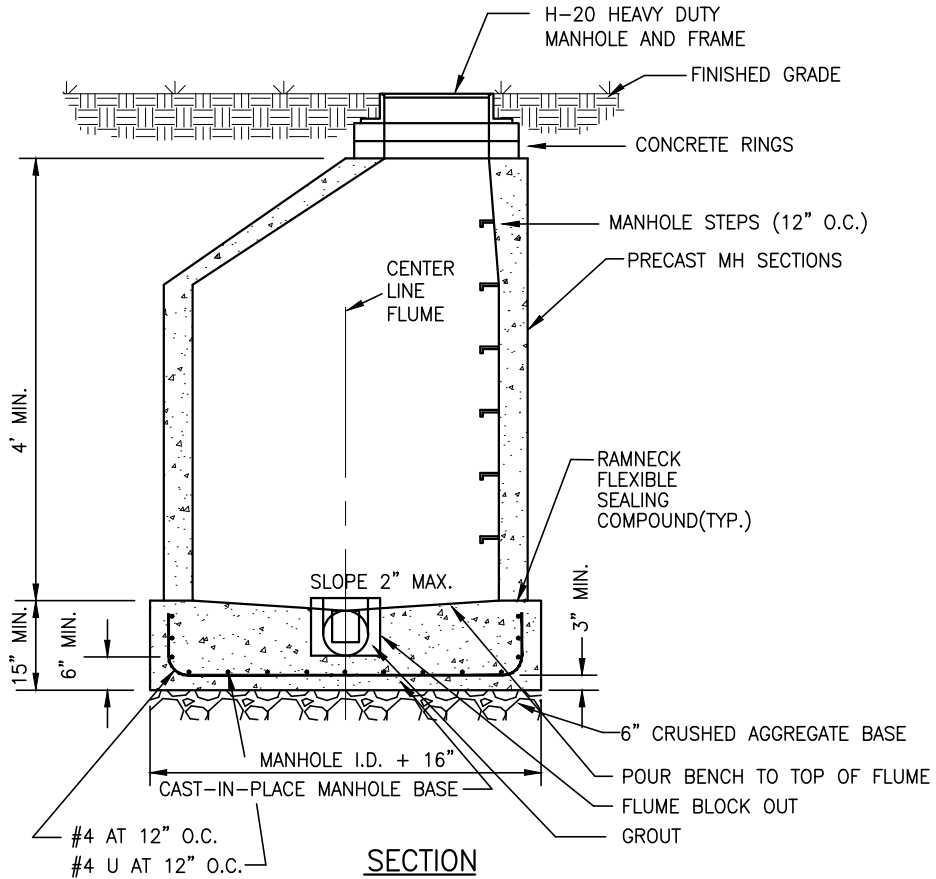


NOTES

1. MOUNTING OF MONITORING HARDWARE REQUIRES STAINLESS STEEL OR CORROSION PROTECTED METAL. REFER TO SPECIFICATIONS.
2. CONSTRUCTION SHALL MEET REQUIREMENTS OF A STANDARD MANHOLE (DETAIL SS-1).
3. ALTERNATIVE MANHOLE CONSTRUCTION SHOWN OF PAGE 2 OF 2.



NOTES: STEPS SHALL BE PERPENDICULAR TO THE FLOW IN A STRAIGHT LINE, 12" ON CENTER, VERTICALLY.



13031 E Caley Ave, Centennial, CO 80111
303-790-4830 • acwwa.com

CONTROL MANHOLE FOR INDUSTRIAL WASTE METERING & SAMPLING

REVISION DATE:

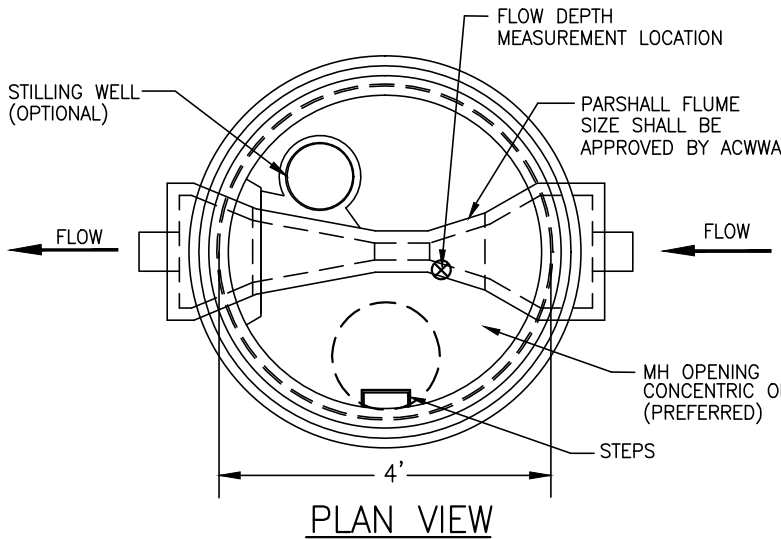
02/10/2016

FIGURE NO.

SS-3

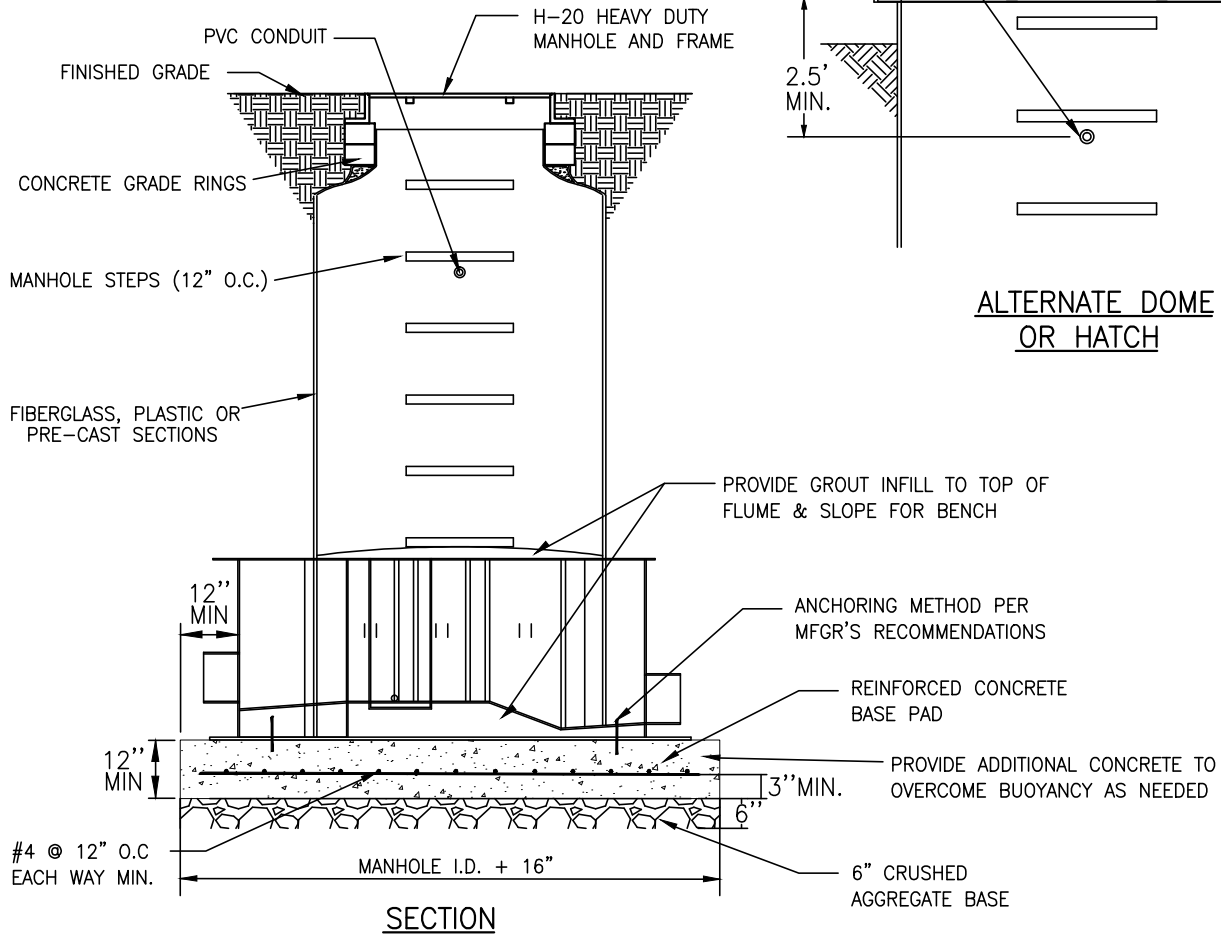
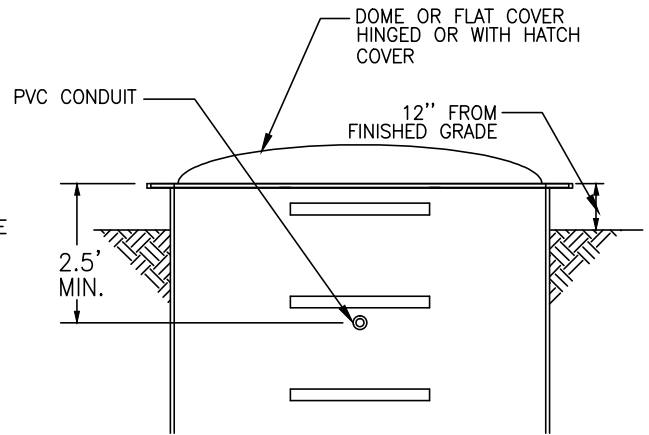
SHEET NO.

1 of 2



NOTES

1. MOUNTING OF MONITORING HARDWARE REQUIRES STAINLESS STEEL OR CORROSION PROTECTED METAL. REFER TO SPECIFICATIONS.
2. LADDERS SHALL BE INSTALLED IN ALL FIBERGLASS AND PLASTIC MANHOLES.



13031 E Caley Ave, Centennial, CO 80111
303-790-4830 • acwwa.com

CONTROL MANHOLE FOR INDUSTRIAL WASTE METERING & SAMPLING

REVISION DATE:
02/11/2016

FIGURE NO.
SS-3

SHEET NO.
2 of 2